



markem·imaje

a **DOVER** company



Print and apply labeling systems

2200 Series



Innovation Award-Winning technology to increase your line efficiency

The 2200 Series builds on a proven concept, with thousands of units installed in demanding 24/7 environments, providing reliability, efficiency, and ease of use to minimize coding errors. Designed to be over 95% recyclable, the 2200 Series takes print and apply to the next stage of evolution, giving you a wide range of interchangeable applicators, optimized operational intervention and unparalleled application rates.

The **eTouch-S**[®] intelligent applicator utilizes Markem-Imaje's market leading innovation to combine outstanding performance with the highest levels of operational safety.

Product features

Higher operational effectiveness

- Safe and easy to use, competent operation can be achieved with less than 5 minutes of training.
- Use the simple three key graphical operator panel or add the color touch screen Production Interface to ensure that only the most relevant operational data is presented on the screen.
- Longer media lengths for extended operation and synchronized media reloading. Replenish label and ribbon rolls in less than 40 seconds.

Unmatched reliability

- Compliant ANSI grade A/B codes even at the highest application speed. Integrated barcode scanner ensures that 100% of cases leave the factory with a readable barcode.
- Simple routine maintenance regimes with the ability to exchange wear and without the need for complex calibration or a tool of any type.
- Wide range of applicators best suited for each application minimizing the need for line changes and expensive modifications.

High-performance printing

- Extremely fast and reliable, **eTouch-S**[®] is built with artificial intelligence to prevent labelling errors, protect products, and increase uptime.
- With the in-built auto-change/tandem functionality, should a 2200 Series go off-line, a second labeler will immediately take over the task to eliminate downtime.
- Constant and consistent label management, automatic label tension and integrated label control, removing any need for operational adjustment or calibration.

2200 Series Specifications

Print features

Print methods: Thermal transfer or direct thermal (selectable on same print unit)
Built-in real-time clock
10 individual programmable counters

Print engines:

2220: 56 mm, 200 dpi (8 dots per mm)
2230: 54 mm, 300 dpi (12 dots per mm)
2420: 104 mm, 200 dpi (8 dots per mm)
2430: 108 mm, 300 dpi (12 dots per mm)
2620: 168 mm, 200 dpi (8 dots per mm)
2630: 162 mm, 300 dpi (12 dots per mm)

Maximum print speed: 300 mm/s

Fonts: 16 smooth scalable fonts available
TrueType font downloadable
Support for Unicode fonts

Graphic features: BMP, WMF, PCX, PNG, ICO, GIF, TIFF, JPEG, all major linear barcodes and 2D barcodes supported

Media specifications

Media types: Die-cut self-adhesive labels
Label stock outside wound as standard

Maximum label width: 178 mm

Maximum label roll: 350 mm (optional 400mm)

Inner core: 76 mm
Inside wound thermal transfer ribbon

Ink ribbon length: 660 m

Ribbon core: 25 mm
Best results with Label MI Ribbon range

Operating Characteristics

Simple on-board user interface:

Graphic display and machine status in local languages
Start, stop, pause or print
Local label selection
Machine back-up/restore or cloning

Communication interface:

2 x In via Opto
5 x Out via relay (24 VDC)
High speed RS-232, 300 – 115 200 bps
Ethernet 10/100 (LPD, R Telnet, FTP, web server)
USB support for back-up/restore and label upload
Compatible with Weihenstephan standard
Dual Language Support (DLS):

- Markem-Imaje LabelPoint
- ZPL emulation**

Environment:

Temperature range: 0°C to 45°C
Humidity: 20% to 85% non-condensing
Power requirements: 110/240 VAC; 50/60 Hz
Power consumption in idle mode 35 watts
Power consumption 135 watts at maximum throughput
Peak power consumption 300 watts
Air supply: 6 bars, dry and clean
System including stand >95% recyclable

Applicators Range

- Thanks to its unique SoftTouch technology, the eTouch-S® applicator offers full movement control and application monitoring
 - Blow, Enhanced Wipe or Flex SE for top, side and front applications
 - High speed front apply
 - Corner Wrap for 2 adjacent side applications
- For more information on case and pallet solutions please visit www.markem-imaje.com

Options and accessories

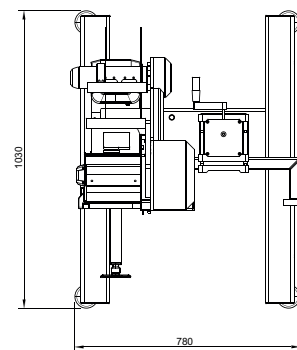
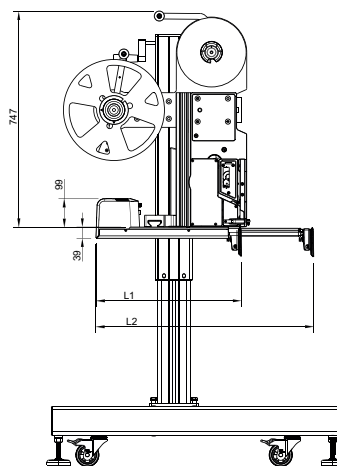
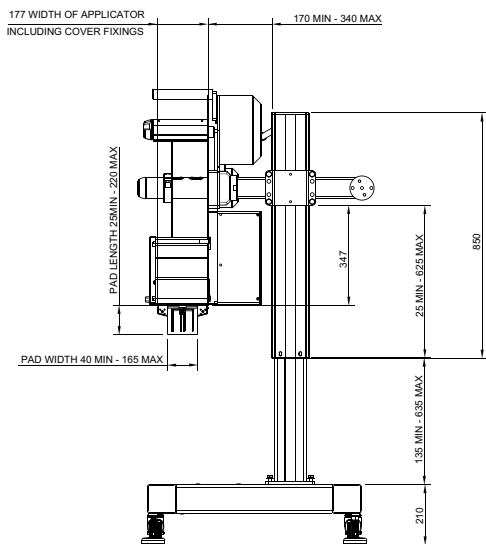
High usages long life printheads
Inside wound label kit
800 m label unwind (factory upgrade)
Expanded memory SD card slot
Scalable and international fonts
Three-color-status beacon
Product triggers
Barcode readers
Advanced Trigger Sensor (ATS)
Range of industrial stands and mounting
Enhanced color touch screen user interface:
2200 Production Interface*

Services and support

Personalized, scalable rental program***
Flexible consumable, maintenance, and professional/training services agreements
Remote expert resources with live helpdesk and video support
Our virtual assistant for 24/7 self-service
On-demand consumables, repairs, and spares, including an online ordering portal***

Software

CoLOS® Base, CoLOS Line and CoLOS Factory
CoLOS® Pallet (optional)
CoLOS® Line Terminal



*See separate datasheet **Not all commands supported. ZPL is a trademark of Zebra Technologies Corporation
***Based on printer model and local availability



markem·imaje
a DOVER company

9, rue Gaspard Monge - B.P. 110
26501 Bourg-lès-Valence Cedex France
+33 (0) 4 75 75 55 00
markem-imaje.com